

BLUELINE VARITANK 1.650

Rainwater tank made of plastic with built-in rainwater filter



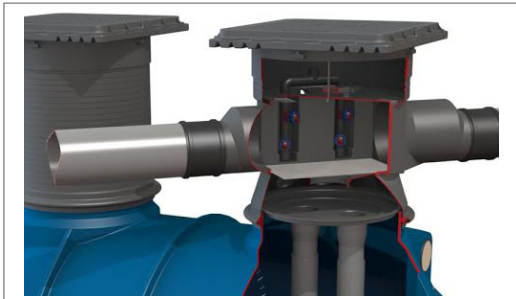
trident
Advanced Filtrertechnology

PRODUCT DESCRIPTION

The Blueline Varitank 1650 consists of a PE tank and Varitank filter 1650. The Blueline rainwater tanks are made of PE, made from one piece. The Blueline tank is suitable for storing rainwater from roofs. The tanks are equipped with 3 prefabricated connections with a rubber sleeve of DN 110. At the top of the tank a manhole is provided with 60 cm and a PE ring protrudes about 8 cm. The Varitank filter 1650 must be mounted on this. The Varitank filter 1650 consists of a filter housing made of polyethylene (PE), a filter box and a filter flate made of stainless steel with triangular blades that are at right angles to the water flow. The distance between the slats is approx. 0.5 mm. The distance between the slats is approx. 0.5 mm. Because the slats are tilted a few degrees, the rainwater is braked and discharged to the tank. The entrained dirt remains behind on the filter flate. In case of heavy rainfall, the excess rain water will drain directly via the filter flate and the remaining dirt will wash away on the filter flate. The Varitank filter is traffic class A taxable. The filter box completely closes the tank and offers extra safety against undesired access of the tank.

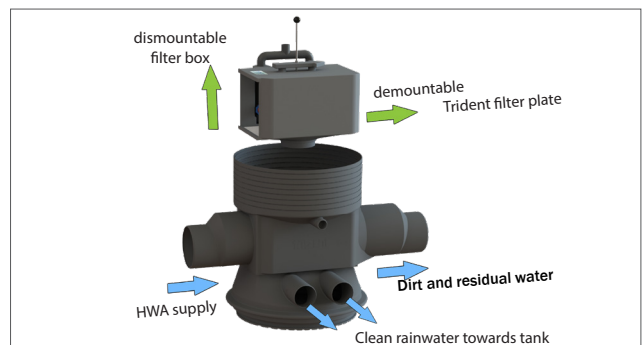
APPLICATION AREA

The tank must be buried at a certain depth, depending on the level of the HWA pipes and ground level. The tanks must remain accessible for maintenance and / or clearance. The Blueline tanks can be placed in the groundwater for 1/3 part, provided there is enough counterweight to prevent thawing. The Blueline tank is traffic-able (class B-125 KN) provided there is a minimum ground cover on the Blueline tank of 60 cm. Ground cover above the tanks is a maximum of 150 cm. The Varitank filter is suitable for filtering rainwater from roofs of buildings with a maximum roof surface of up to 1650 m². The filter shaft is placed on the PE ring of the tank and sealed with a rubber ring. The shaft can be rotated 360 degrees to facilitate the connection of the piping and can be shortened or raised at any desired Width by means of PE attachments. The decay between the supply and discharge of rainwater is 12 mm.

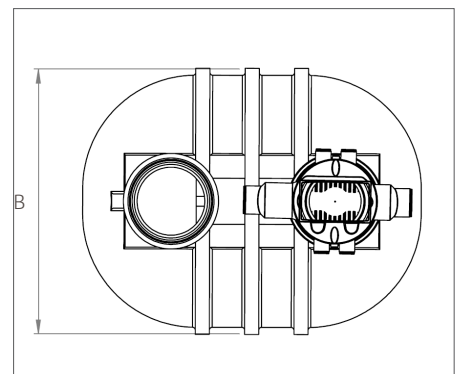
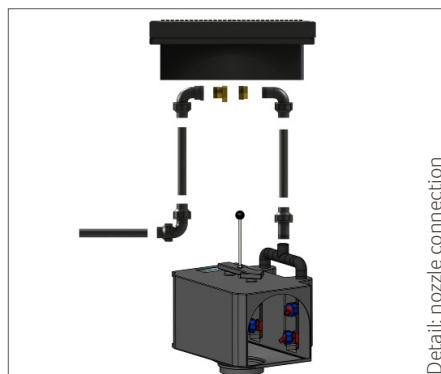
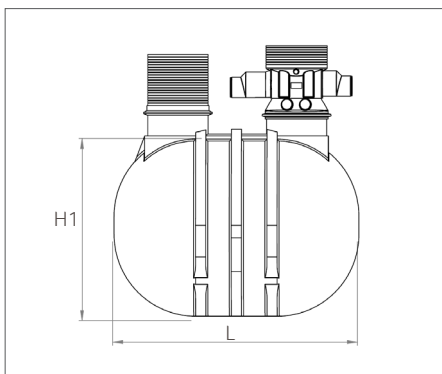


TECHNICAL DATA BLUELINE VARITANK 1.650

Volume in liter	Weight in kg	Length L in cm	Height H1 in cm	Width B in cm	Connection pfilter sprayer
7.500	210	277	225	Ø 231	1"
10.000	340	340	225	Ø 231	1"



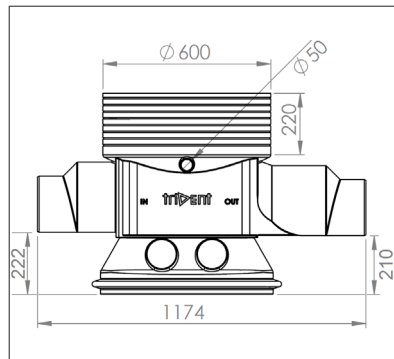
TECHNICAL DRAWINGS



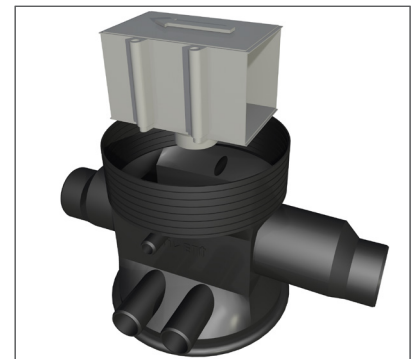
TECHNICAL DATA VARITANK FILTER 1.650

Height in mm:	717
Height IN mm:	222
Height UIT mm:	210
Weight in kg:	ca. 50
Connection in / out in mm:	200/250
Afvoer schoon ø in mm:	2 x 110
Connection of casing pipe in mm:	50
Manhole Ø in mm:	600
Max. dakoppervlak in m ² :	1.650
Height difference on the drain in mm:	12
Housing material:	PE
Material filter plate:	RVS
Connection of nozzle (optional):	1"

TECHNICAL DRAWINGS



PRINCIPESHEMA



OPTIONS

Sprinkler set for Varitank 1.650 Trident filter

The nozzle set ensures that the filter is periodically cleaned. The set consists of a filter nozzle, mounting material and tubes for the coupling between the filter box and filter shaft so that the filter box remains removable.

Automatic time-controlled filter cleaner 1 "

Time-controlled filter cleaner enables automatic filter cleaning. The nozzle will clean the filter surface at freely adjustable times.

Backflow alarm for Trident filters

The filter can be equipped with an alarm sensor that signals backflow from the overflow. This alarm sensor can be connected to an IRM rainwater system that switches to drinking water as soon as an alarm signal comes from the sensor. This prevents contamination of the pump, sanitary pipes and appliances.

Removal bracket for filter box

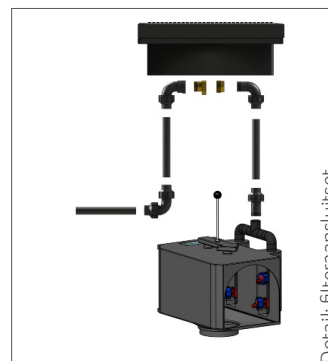
If the pipes, and therefore the filter, are relatively deep below ground level, the removal bracket is a solution to take the box out quickly and easily.

Varitank inner shaft 60 cm

The shaft with the sealing ring supplied can be mounted on the filter shaft. The shaft can easily be shortened. Each type of Varitank lid can thus be equated to the ground level on any desired Höhe.

Varitank lid set

For every Varitank filter a wide range of lids is available in traffic classes A, B and D. Check the special Varitank lid page to choose which lid is most suitable for your situation.



Detail: filteraansluitset



Detail: dwarsdoorsnede

SCOPE OF DELIVERY

Product consists of: Blueline Varitank, filter box, Trident filter flate with extraction bracket, 2 quiet feed, manhole shaft, filter shaft, 2 rubber rings with lubricant, 2 telescopic tubes, tube dish, 4 filter nozzles. Tanks are delivered in the color black.

ORDERING INFORMATION

Art nr	NAME	PG	Art nr	Options	PG
403211	Blueline Varitank 1.650 - 7.500 liter	3	401213	Sprinkler set Varitank 1.650 Trident filter	2
403212	Blueline Varitank 1.650 - 10.000 liter	3	401251	Automatic time-controlled filter cleaner 1 "	2
Wide range of lids available, see Varitank lids from GEP.			401158	Backflow alarm for T Trident filters	2
			403652	Twist floating suction 3 meters	2
			403512	Varitank inner shaft 60 cm	2
			401369	Removal bracket for filter box	2